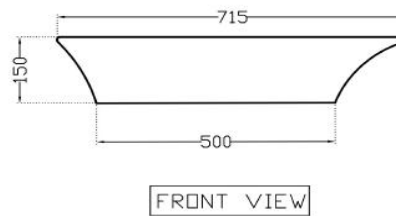
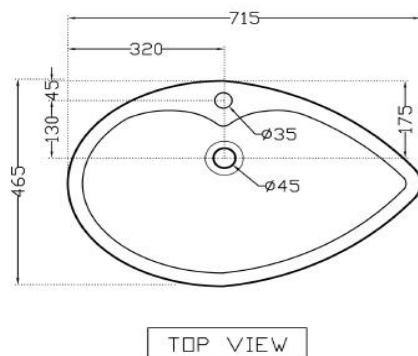


**SPECIFICATION DATA SHEET**
**PRODUCT DETAILS**

<b>Manufacturer :</b>	Artize	<b>Type:</b>	Table Top Basin
<b>Range</b>	Tiara	<b>Colour:</b>	White
<b>Outlet</b>	Horizontal	<b>Material:</b>	Ceramic - Vitreous China
<b>Technical Details:</b>	Diameter of the tap hole 35 $\phi$ +2 -1 mm,	<b>BOM doc.NO.</b>	ASW/03/2018/39
	ID of waste outlet hole 45 $\phi$ +2 -3 mm Horizontal distance between the centre line of the tap hole and the centre line of the waste outlet hole $\leq$ 130 mm		

**ARTICLE NAME: TABLE TOP BASIN**

**TECHNICAL DIMENSIONS**


ALL DIMENSIONS ARE IN MM.  
(TOLERANCE  $\pm$  5 MM)

**PRODUCT DIMENSIONS**

Length (mm)	Width (mm)	Height (mm)	Net weight (kg)
715	465	150	11.45

**USP**

Exclusive Design, Basin with Tap Hole

**CARE AND CLEANING GUIDELINES**

- ★ Vitreous china sanitary ware products are fragile in nature and need to be handled with care (to avoid personal injury) at all times during its storage, handling, installation and use thereafter.
- ★ The product is heavy and it is recommended that two persons hold it while it is being fixed.
- ★ Carefully inspect the new product for damage before installation.
- ★ Risk of product damage. Over tightening may cause breakage or chipping of vitreous china.
- ★ Risk of external leakage. Do not lift or rock the bowl after placement.
- ★ Always test your cleaning solution on an inconspicuous area on the product before applying it to the entire surface.
- ★ Do not allow cleaners to sit or soak on the product.
- ★ Use a soft, dampened sponge or cloth to clean. Never use abrasive material like a bristle brush or scouring pad.
- ★ Wipe surfaces clean and rinse completely with water immediately after applying cleaners.
- ★ Clean Chrome, stainless steel surfaces once a week. Do not use cleaners containing chloride on chrome, stainless steel. If used, rinse the surface immediately to prevent corrosion.
- ★ Wherever chrome plating is used on the products, use only warm water to clean and then dry with a soft cloth.

**CERTIFICATION**

Compliance :

**PACKAGING DETAIL**

Length (mm)	Width (mm)	Height (mm)	Gross Weight(kg)
730	540	160	12.55

**LOADING PALLET DETAIL**

Length (mm)	Width (mm)	Height (mm)	no of pieces on pallet
1140	1140	2285	44



Prepared By Designer Date	Controlled By Quality control	Verified By Product Manager	Approved By Sanitaryware Head
Revision/Version	1	Plotter Updated on	Month
		09-Jul	Year 2018